

ACDEU

Self Priming Centrifugal Pump w/Autostart

Super
T SERIES

Model T4A60S-4024T
Size 4" x 4"



Total Head		Capacity Of Pump In U.S. Gallons Per Minute (GPM) At Continuous Performance				
P.S.I.	Feet					
59.0	136	150	150	150	150	150
52.0	120	340	340	340	340	350
43.4	100	380	505	632	675	680
34.7	80	395	512	640	724	797
26.0	60	400	520	648	730	808
17.4	40	405	525	655	740	815
Suction Lift		25'	20'	15'	10'	5'

PUMP SPECIFICATIONS

Size: 4" x 4" (101 mm x 101 mm) NPT - Female.

Casing: Gray Iron 30.

Maximum Operating Pressure 98 psi (676 kPa).*

Semi-Open Type, Two Vane Impeller: Ductile Iron 65-45-12.

Handles 3" (76.2 mm) Diameter Spherical Solids.

Impeller Shaft: Stainless Steel 17-4 PH.

Replaceable Wear Plate: Carbon Steel 1015.

Removable Adjustable Cover Plate: Gray Iron 30.

Seal Plate: Gray Iron 30.

Seal: Cartridge Type, Mechanical, Oil-Lubricated, Double Floating, Self-Aligning. Silicon Carbide Rotating and Stationary Faces. Stainless Steel 316 Stationary Seat. Fluorocarbon Elastomers (DuPont Viton® or Equivalent). Stainless Steel 18-8 Cage and Spring. Maximum Temperature of Liquid Pumped 160°F (71°C).*

Flap Valve: Neoprene w/Steel Reinforcement.

Shaft Sleeve: Alloy Steel 4130.

Intermediate: Gray Iron 30.

Radial Bearing: Open Single Ball.

Thrust Bearing: Open Double Ball.

Bearing Lubrication: SAE 30 Non-Detergent Oil.

Flange: Gray Iron 30.

Gaskets: Compressed Synthetic Fibers and PTFE.

O-Rings: Buna-N, PTFE, Fluorocarbon Elastomers (DuPont Viton® or Equivalent).

Hardware: Standard Plated Steel.

Brass Pressure Relief Valve.

Bearing and Seal Cavity Oil Level Sight Gauges.

*Consult Factory for Applications Exceeding Maximum Pressure and/or Temperature Indicated.

Standard Equipment: Hoisting Bail. 90° Discharge Elbow. Strainer. Combination Skid Base w/Fuel Tank. Strainer. Single Ball Type Float Switch.**

**50 Ft. (15 m) Standard Length; Dual Switches and Alternate Cable Lengths Available From the Factory.

Optional Equipment: Battery. G-R Hard Iron Impeller and Seal Plate. Hardened Steel Wear Plate. High Speed (55 MPH/89 KM/H) Single Axle Pneumatic-Tired Wheel Kit w/wo DOT-Approved Lights and Electric Brakes. Tandem Axle Over-the-Road Trailer (Meets DOT Requirements) Available w/Either Electric or Hydraulic Surge Brakes, Running Lights, Jack Stands and Safety Cables. EPS w/Submersible Transducer Liquid Level Sensor (50 Ft. [15 M] Cable Standard, Alternate Lengths Available).



ENGINE SPECIFICATIONS

Model: John Deere 4024T.

Type: Four Cylinder, Turbocharged, Liquid Cooled Diesel Engine.

Displacement: 149 Cu. In. (2,44 Liters).

Governor: Mechanical.

Lubrication: Forced Circulation.

Air Cleaner: Dry Type.

Oil Reservoir: 8.5 U.S. Qts. (8 Liters) Dry;
7.7 U.S. Qts. (7.3 Liters) Refill.

Fuel Tank: 61 U.S. Gallons (231 Liters).

Full Load Operating Time: 26.5 Hrs

Starter: 12V Electric.

Standard Features: Low Oil Pressure and High Coolant Temperature Safety Shut Down Switches/Indicators. Autostart Instrument Panel Includes: Tachometer, Voltmeter, Hourmeter, Coolant Temperature Gauge, Oil Pressure Gauge, Manual/Stop/Auto Key Switch, 10 Amp Pushbutton Circuit Breaker, Startup Warning Delay. Muffler w/Guard and Weather Cap. Throttle Control.

JOHN DEERE PUBLISHED PERFORMANCE:

Maximum Gross (Industrial Continuous) B.H.P.
41 (30.8 kW) @ 2800 RPM



THE GORMAN-RUPP COMPANY • MANSFIELD, OHIO

www.grpumps.com

GORMAN-RUPP OF CANADA LIMITED • ST. THOMAS, ONTARIO, CANADA

Specifications Subject to Change Without Notice

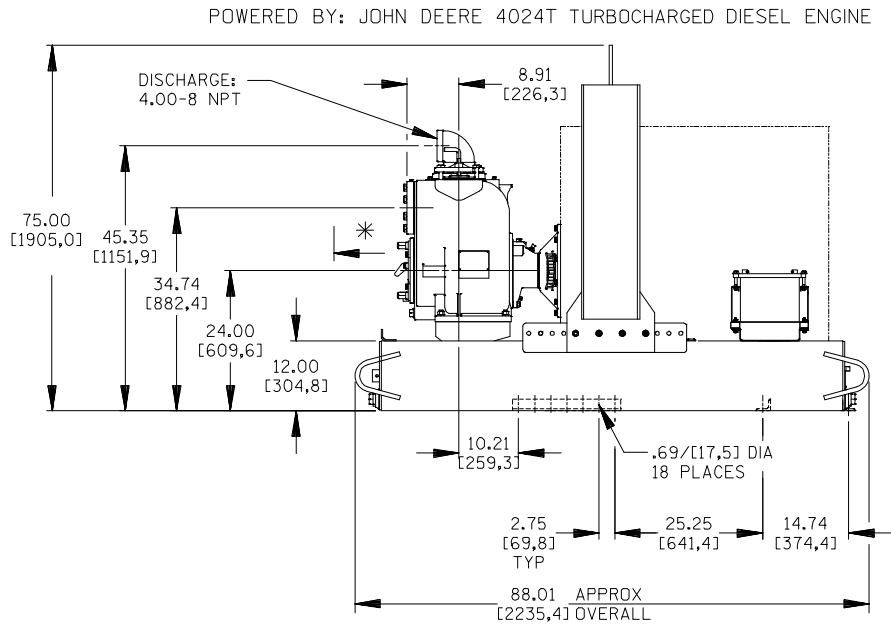
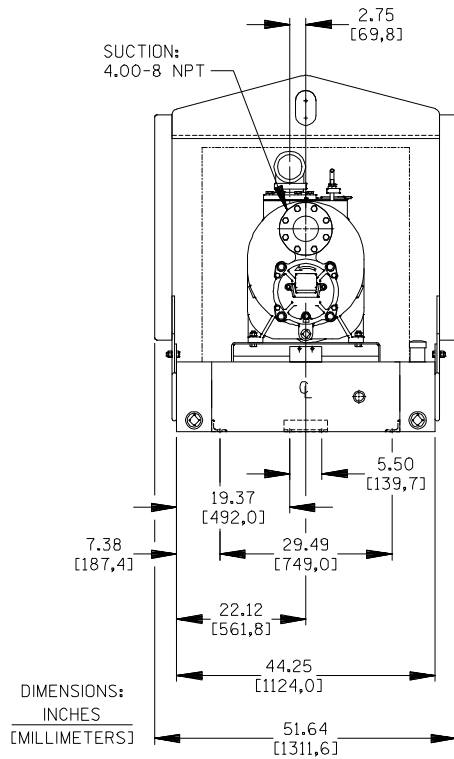
Printed in U.S.A.

Specification Data

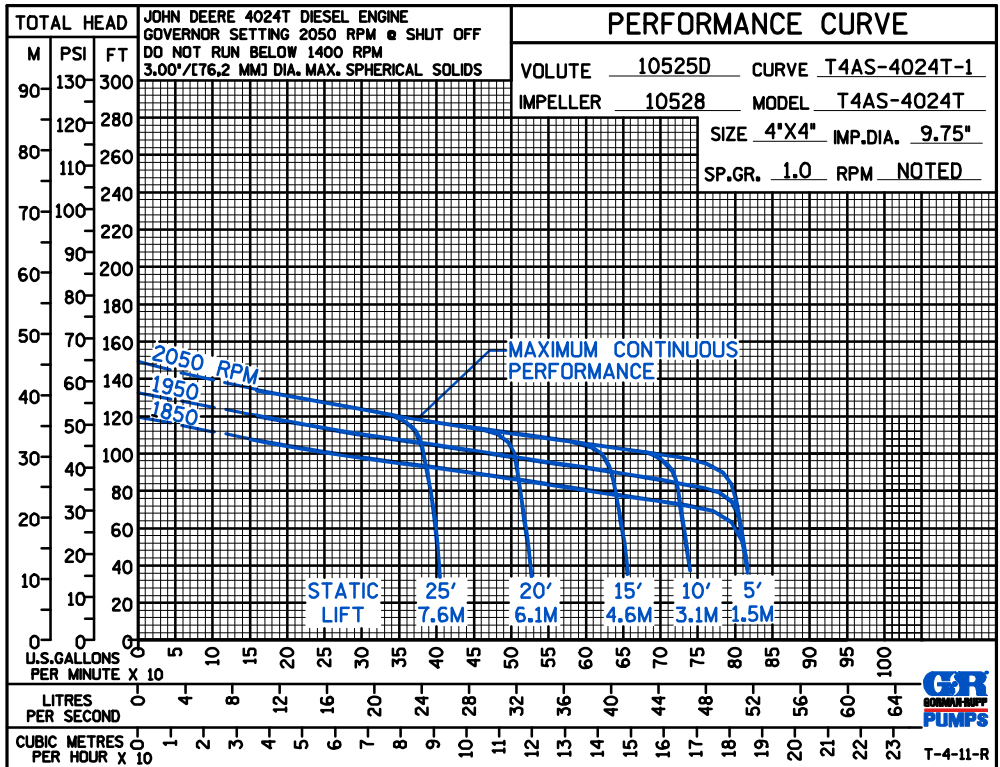
SECTION 45, PAGE 1245

APPROXIMATE DIMENSIONS and WEIGHTS

	SKID BASE	2-WHEEL
NET WEIGHT:	2775 LBS. (1259 KG.)	3230 LBS. (1465 KG.)
SHIPPING WEIGHT:	2825 LBS. (1281 KG.)	3230 LBS. (1465 KG.)
EXPORT CRATE SIZE:	254 CU. FT. (7,19 CU. M.)	



* 18.00/[457,2] RECOMMENDED FOR REMOVAL OF BACK COVER PLATE
 9.00/[228,6] REQUIRED FOR REMOVAL OF BACK COVER PLATE



THE GORMAN-RUPP COMPANY • MANSFIELD, OHIO

GORMAN-RUPP OF CANADA LIMITED • ST. THOMAS, ONTARIO, CANADA

Specifications Subject to Change Without Notice

Printed in U.S.A.